



OPERATING INSTRUCTIONS

BATTERY CHARGER

IR-200BC

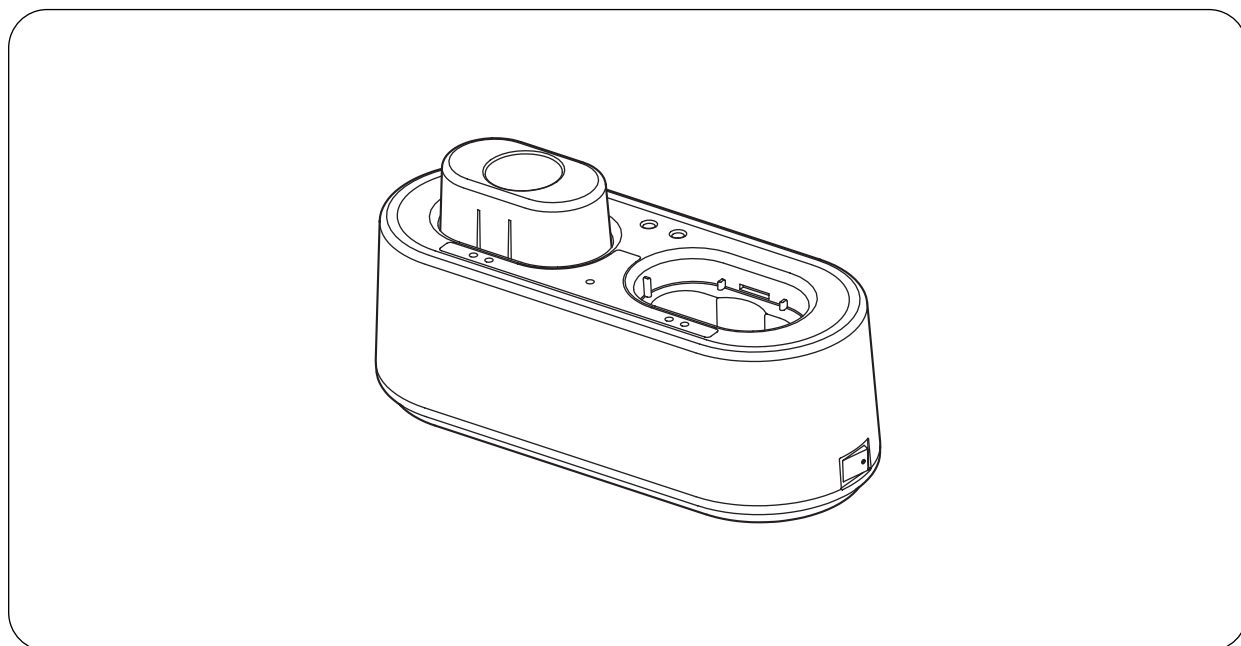


TABLE OF CONTENTS

1. SAFETY PRECAUTIONS	2	5. CHARGING	5
2. GENERAL DESCRIPTION	3	6. TROUBLESHOOTING	7
3. HANDLING PRECAUTIONS	3	7. SPECIFICATIONS	8
4. NOMENCLATURE AND FUNCTIONS	4	Accessories	8

Thank you for purchasing TOA's Battery Charger.

Please carefully follow the instructions in this manual to ensure long, trouble-free use of your equipment.

1. SAFETY PRECAUTIONS

- Before installation or use, be sure to carefully read all the instructions in this section for correct and safe operation.
- Be sure to follow all the precautionary instructions in this section, which contain important warnings and/or cautions regarding safety.
- After reading, keep this manual handy for future reference.

WARNING

Indicates a potentially hazardous situation which, if mishandled, could result in death or serious personal injury.

CAUTION

Indicates a potentially hazardous situation which, if mishandled, could result in moderate or minor personal injury, and/or property damage.

WARNING

When Installing the Unit

- Do not expose the unit to rain or an environment where it may be splashed by water or other liquids, as doing so may result in fire or electric shock.
- Use the unit only with the voltage specified on the unit. Using a voltage higher than that which is specified may result in fire or electric shock.
- Do not cut, kink, otherwise damage nor modify the power supply cord. In addition, avoid using the power cord in close proximity to heaters, and never place heavy objects -- including the unit itself -- on the power cord, as doing so may result in fire or electric shock.
- Avoid installing or mounting the unit in unstable locations, such as on a rickety table or a slanted surface. Doing so may result in the unit falling down and causing personal injury and/or property damage.

When the Unit is in Use

- Should the following irregularity be found during use, immediately switch off the power, disconnect the power supply plug from the AC outlet and contact your nearest TOA dealer. Make no further attempt to operate the unit in this condition as this may cause fire or electric shock.
 - If you detect smoke or a strange smell coming from the unit
 - If water or any metallic object gets into the unit
 - If the unit falls, or the unit case breaks
 - If the power supply cord is damaged (exposure of the core, disconnection, etc.)
- To prevent a fire or electric shock, never open nor remove the unit case as there are high voltage components inside the unit. Refer all servicing to your nearest TOA dealer.

- Do not place cups, bowls, or other containers of liquid or metallic objects on top of the unit. If they accidentally spill into the unit, this may cause a fire or electric shock.

- Do not insert nor drop metallic objects or flammable materials inside the battery charger or its infrared microphone receptacle, as this may result in fire or electric shock.

- Do not touch a power supply plug during thunder and lightning, as this may result in electric shock.

- Stop charging if the batteries are not fully charged within 3 hours. Failure to do so may cause the batteries to fire, explode, leak, or heat.

CAUTION

When Installing the Unit

- Never plug in nor remove the power supply plug with wet hands, as doing so may cause electric shock.
- When unplugging the power supply cord, be sure to grasp the power supply plug; never pull on the cord itself. Operating the unit with a damaged power supply cord may cause a fire or electric shock.
- When moving the unit, be sure to remove its power supply cord from the wall outlet. Moving the unit with the power supply cord connected to the outlet may cause damage to the power supply cord, resulting in fire or electric shock.
- Avoid installing the unit in humid or dusty locations, in locations exposed to the direct sunlight, near the heaters, or in locations generating sooty smoke or steam as doing otherwise may result in fire or electric shock.

When the Unit is in Use

- If dust accumulates on the power supply plug or in the wall AC outlet, a fire may result. Clean it periodically. In addition, insert the plug in the wall outlet securely.

- Switch off the power, and unplug the power supply plug from the AC outlet for safety purposes when cleaning or leaving the unit unused for 10 days or more. Doing otherwise may cause a fire or electric shock.
- Use the dedicated AC adapter for the unit. Note that the use of other adapter may cause a fire.
- Avoid charging microphones installed with rechargeable batteries other than the dedicated IR-200BT battery. Charging any other than the specified battery could result in fire or personal injury due to battery rupture.
- When the infrared wireless microphone is not in use for 2 weeks or more, be sure to take the batteries out of the microphone because battery leakage may cause a fire, personal injury, or contamination of environment.
- Make sure to observe the following handling precautions so that a fire or personal injury does not result from leakage or explosion of the battery.
 - Be sure to use only the rechargeable battery designed for use with the infrared wireless microphone
 - Avoid mixed use of new and old batteries, batteries of different types, or fully charged and discharged batteries in the same microphone.
 - Do not short, disassemble, heat nor put the battery into a fire.
 - Do not solder a battery directly.
 - Note correct polarity (positive and negative orientation) when inserting a battery in the unit.
 - Avoid locations exposed to the direct sunlight, high temperature and high humidity when storing batteries.

FCC Compliance

This device complies with Part 15 of the FCC Rules. Operation is subject to the following two conditions:
 (1) this device may not cause harmful interference, and
 (2) this device must accept any interference received, including interference that may cause undesired operation.

Any modifications made to this device that are not approved by TOA Corporation may void the authority granted the user by the FCC to operate this equipment.

Note: This equipment has been tested and found to comply with the limits for a Class A digital device, pursuant to part 15 of the FCC Rules. These limits are designed to provide reasonable protection against harmful interference when the equipment is operated in a commercial environment. This equipment generates, uses, and can radiate radio frequency energy and, if not installed and used in accordance with the instruction manual, may cause harmful interference to radio communications. Operation of this equipment in a residential area is likely to cause harmful interference in which case the user will be required correct the interference at his own expense.

2. GENERAL DESCRIPTION

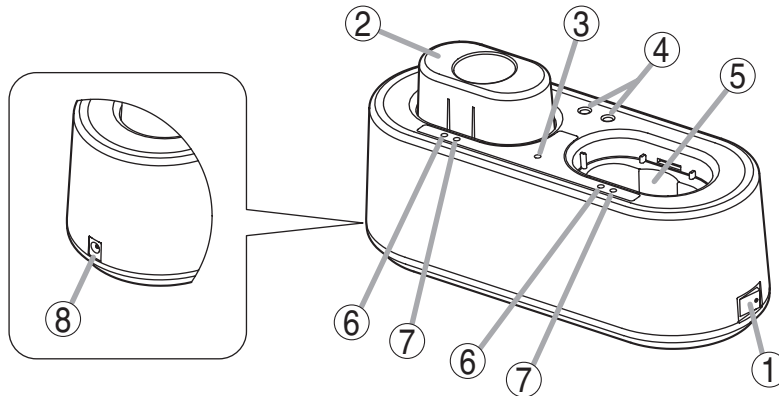
The TOA IR-200BC is a dedicated battery charger for the IR-200M and IR-300M Infrared Wireless Microphones.

It employs a quick charging system for nickel metal hydride (NiMH) batteries, allowing up to 2 infrared wireless microphones to be fully charged within 3 hours.

3. HANDLING PRECAUTIONS

- Since the supplied power cord is designed for use specifically with the IR-200BC charger, do not use it with equipment other than the IR-200BC.
- Use the IR-200BC in locations where an ambient temperature ranges from 0 to 40 °C (32 to 104 °F).
- When cleaning the case, be sure to first switch off the power, then wipe with a dry cloth. Never use benzene, thinner, alcohol or chemically processed towels, as these may damage the charger's components and parts.
- Clean the charging terminals on a regular basis using a dry cotton swab. Dirty terminals can cause poor electrical contact and cause batteries to be charged incorrectly.

4. NOMENCLATURE AND FUNCTIONS



1. Power switch

To turn on the power, set this switch to the [●] position. To turn off the power, shift this switch back.

2. Mounting Adapter (factory-attached to the charger)

Used when charging the IR-200M handheld infrared wireless microphone.

Remove this adapter when charging the IR-300M hands-free infrared wireless microphone. (Refer to p. 5 "Charging.")

3. Power indicator

Lights when the power is switched on.

4. Screwdriver inlet

Insert the setting screwdriver supplied with the infrared wireless microphone into this inlet when storing it.

5. Infrared wireless microphone receptacle

- Use the mounting adapter when charging the IR-200M microphone.
- When charging the IR-300M microphone, remove the mounting adapter and insert the microphone directly into the receptacle.

6. Full-charge indicator

Lights green once the battery is fully charged.

7. Charging indicator

Lights red continuously while charging is in progress.

8. Power input terminal

Connect the supplied AC adapter to this terminal.

[Indicator status table]

Charging indicator (red)	Full-charge indicator (green)	Status
Lit	Unlit	Charging in progress
Unlit	Lit	Charging completed
Flashing	Unlit	Outside the operating temperature range (refer to p. 7 "Troubleshooting.")
Both indicators light alternately.		Charging failure (refer to p. 7 "Troubleshooting.")

5. CHARGING

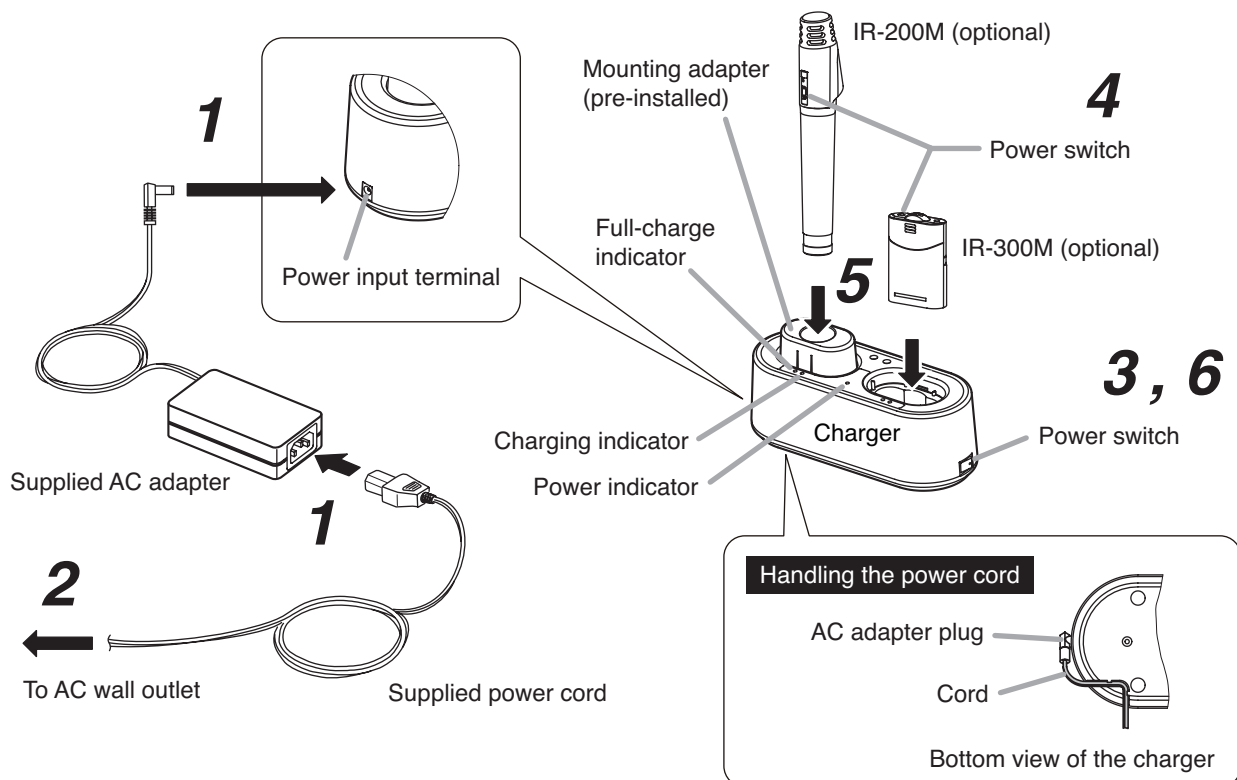
CAUTION

Avoid charging microphones installed with rechargeable batteries other than the dedicated IR-200BT battery. Charging any other than the specified battery could result in fire or personal injury due to battery rupture.

Notes

- Use the charger in locations where the ambient temperature range is between 0 and 40 °C (32 to 104 °F).
- Charge the IR-200BT battery before using it.
- If an infrared wireless microphone containing an IR-200BT battery has been stored for a long period of time, it is recommended that the microphone be charged before use.
- Avoid using the charger in locations subject to strong vibrations, as the resulting poor electrical contact may prevent correct charging.
- Do not frequently insert and remove the microphone from the charger during charging, as this could reduce the number of times that the IR-200BT can be effectively charged and discharged.
- Rechargeable batteries are consumables and do not last indefinitely. If the battery operating time becomes extremely short even when it has been fully charged, the battery has reached the end of its life and must be replaced. Be sure to replace the battery with one designated for use with the microphone (IR-200BT).

Tip: Under normal use conditions, the battery can cycle through approximately 500 charges and discharges, after which it will usually need to be replaced.



Step 1. Connect the power cord to the AC adapter, then connect the AC adapter to the charger. Once connected, push the cord into the slot in the charger's bottom surface to prevent the AC adapter plug from accidentally slipping out of place. (Refer to "Handling the power cord" in the figure above.)

Step 2. Insert the AC power plug into an AC wall outlet.

Step 3. Set the charger's power switch to ON. Confirm that the power indicator is lit.

Step 4. Turn off the power of the infrared wireless microphone to be charged, then insert the 2 IR-200BT rechargeable batteries into the microphone. For proper battery insertion, refer to the instruction manual enclosed with the infrared wireless microphone.

Note

Charging cannot be correctly performed if the infrared wireless microphone's power switch is set to the ON position.

Step 5. Insert the infrared wireless microphone fully into the charger's microphone receptacle and confirm that the charging indicator (red) is lit.

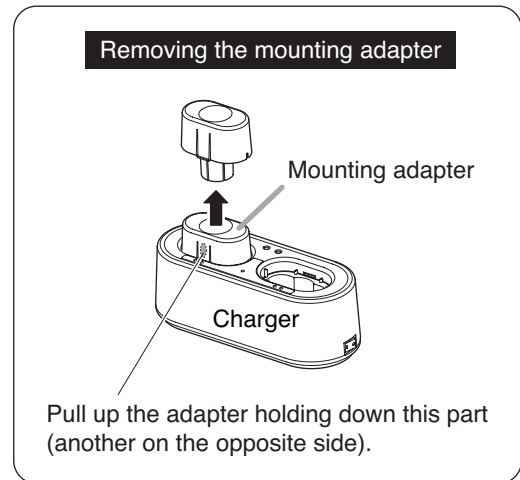
[For the IR-200M microphone]

- Leave the mounting adapter attached.
- Insert the microphone into the hole in the adapter to charge.

[For the IR-300M microphone]

Remove the mounting adapter to charge.
(Refer to the figure at right.)

Charging takes approximately 3 hours, after which the full-charge indicator lights green.



Step 6. Turn off the charger's power once charging is complete.

Notes

- Be sure to turn off the charger's power after charging is complete in order to save standby power.
- The infrared wireless microphone becomes warm after charging completion, however this is not a failure.
- Hold the charger when detaching the infrared wireless microphone from the charger.

6. TROUBLESHOOTING

Symptom	Possible cause	Remedy
Power indicator does not light even if the power switch is turned on.	<ul style="list-style-type: none"> The AC adapter is not plugged into a working AC outlet, or is not plugged in correctly. AC adapter plug is not connected to the charger. 	<ul style="list-style-type: none"> Make sure the AC adapter is plugged in to a working AC wall outlet correctly. Connect the plug to the charger's power input terminal.
Charging indicator (red) does not light even when the infrared wireless microphone is inserted into the microphone receptacle.	<ul style="list-style-type: none"> The batteries used in the microphone may not be dedicated IR-200BT rechargeable batteries. The infrared wireless microphone may not be seated correctly in the microphone receptacle. <p>[For the IR-200M]</p> <ul style="list-style-type: none"> The mounting adapter may not be installed correctly. 	<ul style="list-style-type: none"> Install the appropriate dedicated IR-200BT rechargeable battery in the microphone. Make sure that the microphone is inserted fully into charger as far as it will go. Install the mounting adapter correctly.
Inserting the infrared wireless microphone into the microphone receptacle causes the charging indicator (red) to flash.	<ul style="list-style-type: none"> The ambient temperature may exceed the permissible operating temperature range (0 to 40 °C, or 32 to 104 °F), preventing charging. 	<ul style="list-style-type: none"> Perform charging within the operating temperature range (0 to 40 °C, or 32 to 104 °F).
Full-charge indicator (green) always lights soon.	<ul style="list-style-type: none"> The dedicated IR-200BT rechargeable battery has probably reached the end of its life cycle (usually after about 500 charges and discharges). 	<ul style="list-style-type: none"> Replace the rechargeable battery with a new one.
Full-charge indicator does not light even 3 hours after charging has been started (maximum charging time: 3 hours).	<ul style="list-style-type: none"> The infrared wireless microphone's power switch may be set to ON. The battery may be at the end of its life. 	<ul style="list-style-type: none"> Set the infrared wireless microphone's power switch to OFF. Replace the rechargeable battery with a new one.
Both the charging indicator (red) and the full-charge indicator (green) light alternately.	<ul style="list-style-type: none"> The microphone may have been installed with a non-IR-200BT rechargeable battery. There may be foreign objects (such as metals) in the microphone receptacle. The battery may be at the end of its life. The infrared wireless microphone's power switch may be set to ON. 	<ul style="list-style-type: none"> Use a dedicated IR-200BT rechargeable battery in the infrared wireless microphone. Remove such foreign objects. Replace the rechargeable battery with a new one. Detach the infrared wireless microphone from the charger and set the microphone power switch to the OFF position, then reinsert the microphone into the charger.

7. SPECIFICATIONS

Power Source	AC mains, 50/60 Hz (Power is supplied from the enclosed AC adapter.)
Current Consumption	Max. 2 A
Charging Time	Max. 3 hours
Number of wireless microphones to be charged simultaneously	2 pieces* ¹
Operating Temperature	0 to 40 °C (32 to 104 °F)
Operating Humidity	30 to 85% RH
Finish	Case: ABS resin, metallic gray, 50% gloss, paint Microphone receptacle section: PPE resin, black
Dimensions	238 (w) x 83 (h* ²) x 98 (d) mm (9.37" x 3.27" x 3.86")
Weight	635 g or 1.4 lb (charger with the mounting adapters attached)

Note: The design and specifications are subject to change without notice for improvement.

• Accessories

Power cord (2 m or 6.56 ft)* ³	1
AC adapter (DC cord length: 1.8 m or 5.91 ft)* ³	1
Mounting adapter (pre-installed)	2

• Optional products

Rechargeable battery: IR-200BT-2 (containing 2 pieces)

*¹ Using the mounting adapter allows one each of the IR-200M and IR-300M to be charged in combination.

*² Height is 109.5 mm (4.31") when the mounting adapter is installed.

*³ Not supplied with the IR-200BC KR. For the usable power supply cord and AC adapter, contact your nearest TOA dealer.

Traceability Information for Europe (EMC directive 2004/108/EC)

Manufacturer:
TOA Corporation
7-2-1, Minatojima Nakamachi, Chuo-ku, Kobe, Hyogo,
Japan

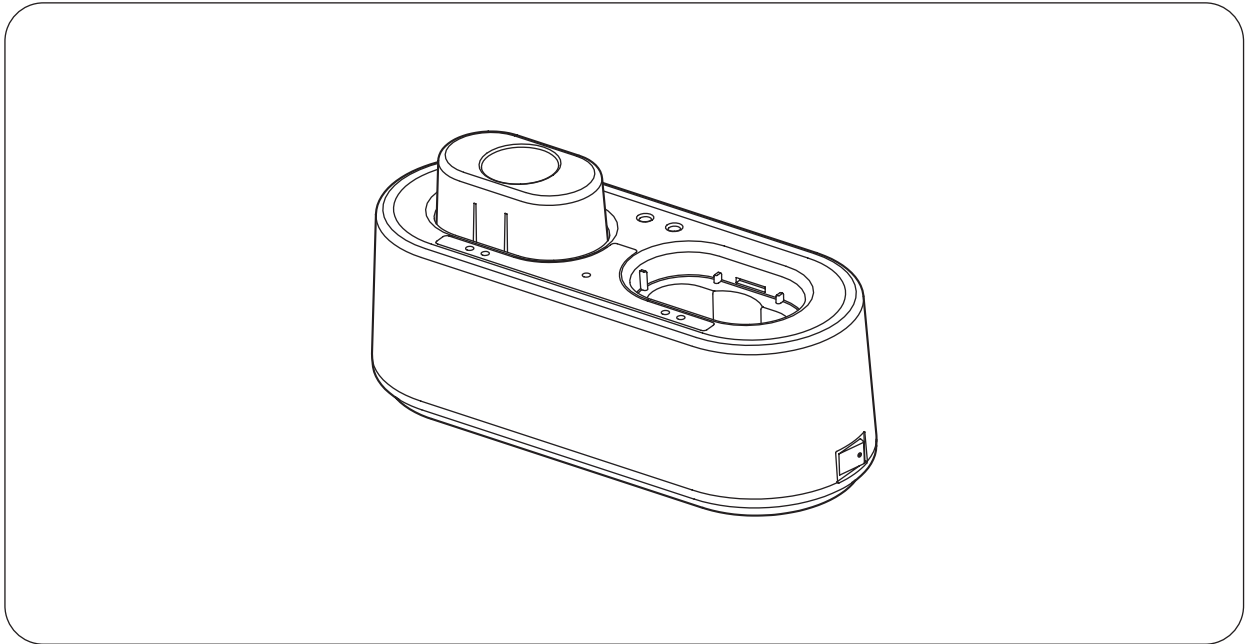
Authorized representative:
TOA Electronics Europe GmbH
Suederstrasse 282, 20537 Hamburg,
Germany



使用说明书

电池充电器

IR-200BC



目录

1. 安全预防措施	2	5. 充电	5
2. 一般说明	3	6. 故障排除	7
3. 使用注意事项	3	7. 规格	8
4. 名称和功能	4	附件	8

承蒙您购买TOA电池充电器。
请仔细根据本手册的指导使用，以确保设备长期、无故障的运行。

1.安全预防措施

- 安装或使用前，请务必仔细阅读本栏说明，确保正确安全操作。
- 以下所示的注意事项，记录了与安全有关的重要内容，请务必遵守。
- 阅读完毕后，请务必将其妥善保管，以便随时取阅。



警告

该标志表示，存在潜在的安全隐患，误操作时可能导致死亡或严重伤害。



注意

该标志表示操作不当时，有可能造成中度或轻微的人身伤害和/或财产损失。



警告

安装设备时

- 请勿将设备置于雨中或可能被水或其他液体浸湿的环境中，否则会引起火灾或触电。
- 仅可在设备指定的电源电压下使用。在超过标示的电源电压下使用可能会引起火灾或触电。
- 请勿剪切、扭绞、损坏或改装电源电缆。此外，请勿在加热器附近使用电源电缆，不得将重物（包括设备本身）放置在电源电缆上，否则会引起火灾或触电。
- 请勿将设备安装在不稳定的位置，例如摇晃的平台或倾斜的表面。否则可能会引起设备掉落，造成人身伤害和/或财产损失。

使用设备时

- 如果在使用中出现以下异常情况，请立即切断电源开关，从擦座上拔出电源插头，并与离您最近的TOA经销商联系。在此类情况下，不得进一步使用设备，否则可能会引起火灾或触电。
 - 如果设备中产生烟雾或异味
 - 如果水或任何金属物质进入设备
 - 如果设备摔落或设备外壳破损
 - 如果电源电缆受损（内核暴露，断开等）
- 为防火灾或触电，请勿打开或拆除设备外壳进行改造。请将维修工作交由最近的TOA经销商来处理。

- 请勿将茶杯、碗碟或其他液体或金属物容器放置在设备顶部。如果此类物体意外进入设备，则可能引起火灾或触电。
- 请勿将金属物品或易燃性物体插入或丢入电池充电器或其红外线话筒插座中，否则可能会导致火灾或触电。
- 请勿在雷电气候中接触插头或天线，否则可能会引起触电。
- 如果电池在3小时之内未完全充满，请停止充电。否则可能会引起电池发生火灾、爆炸、泄露或过热。



注意

安装设备时

- 请勿用湿手插拔电源插头，否则可能会引起触电。
- 当按下电源电缆时，请确保拿住电源插头；不得拉拽电缆本身。使用电源电缆受损的设备则可能引起火灾或触电。
- 当移动设备时，请确保从墙面输出口拆除其电源电缆。在电源电缆与输出口连接的情况下移动设备可能会引起电源电缆损坏，引起火灾或触电。当拆除电源电缆时，请确保拿住插头，将其拔下。
- 请勿将设备安装在潮湿或积满灰尘、暴露在阳光直射、靠近灼热器或产生浓烟或蒸汽的位置，否则可能会引起火灾或触电。

使用设备时

- 如果在电源插头上或墙面插座中堆积了灰尘，则可能引起火灾。应定期清理。此外，请将插头牢固插入墙面输出口。

- 当设备闲置10天或更长时间不使用时，为确保安全，请关闭电源开关，将电源插头从插座上拔出。否则可能会引起火灾或触电。
- 使用设备专用的AC适配器。请注意，使用其他适配器可能会引起火灾。
- 避免为安装有可充电电池，而非专用IR-200BT电池的话筒充电。为非指定的电池充电会由于电池破裂而导致火灾或人身伤害。
- 当红外线话筒闲置2周或更长时间不使用时，确保从话筒中取出电池，以防引起火灾、人身伤害或环境污染。
- 确保遵循以下使用注意事项，不会由于电池泄露或爆炸而导致火灾或人身伤害。
 - 确保仅使用红外线话筒专用的可充电电池。
 - 避免在同一话筒中混用新旧电池、不同种类的电池、或完全充电与放电的电池。
 - 请勿短接、拆卸、加热电池或将其至于火中。
 - 请勿直接焊接电池。
 - 按极性（正极与负极）正确装入电池。
 - 防止电池储藏位置暴露在阳光直射、高温和高湿度环境下。

2.一般说明

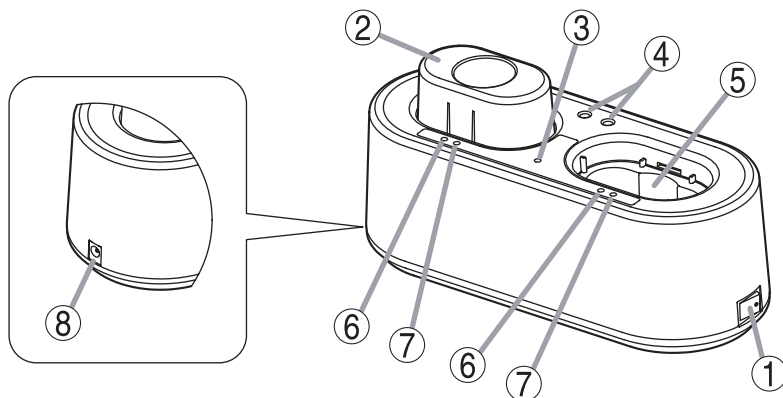
TOA IR-200BC 是IR-200M和IR-300M红外线话筒的专用充电器。

其采用快速充电系统用于镍氢电池（NiMH），在3小时之内允许至多2个红外线话筒完全充电。

3.使用注意事项

- 由于随附的电源电缆专门用于IR-200BC充电器，请勿将其与IR-200BC以外的设备一起使用。
- 请在温度为0 ~ +40°C的环境中使用IR-200BC。
- 对本设备进行清扫时，请务必切断电源，并用干布进行擦拭。对于顽固的污渍使用蘸有中性洗涤剂的布擦拭。绝对不能使用苯、稀释剂或经过化学处理的清洁布等。以防损坏充电器元件和零件。
- 定期使用干燥的棉签清洁充电端子。端子脏污会导致接触不良，从而导致电池不能正确充电。

4.名称和功能



1. 电池插座

要打开电源，将此开关置于[●]位置。要关闭电源，将此开关按回。

2. 安装适配器

(充电器出厂随附)

当为IR-200M手持型红外线话筒充电时使用。

当为IR-300M免提型红外线话筒充电时拆下此适配器。(请参见第5页“充电”。)

3. 电源指示器

当电源打开时亮起。

4. 螺丝刀插口

存储时将红外线话筒随附的设置螺丝刀插入此插口。

5. 红外线话筒插座

- 当为IR-200M话筒充电时使用安装适配器。
- 当为IR-300M话筒充电时，拆下安装适配器并直接将话筒插入插座中。

6. 完全充电指示器

电池完全充满电时亮起绿色。

7. 充电指示器

充电正在进行时持续亮起红色。

8. 电源输入端子

将随附的AC适配器连接至此端子。

[指示器状态表]

充电指示器 (红色)	完全充电指示器 (绿色)	状态
亮	未亮	充电正在进行
未亮	亮	充电完成
闪烁	未亮	超出运行温度范围 (请参见第7页“故障排除”。)
两个指示器交替亮起。		充电故障 (请参见第7页“故障排除”。)

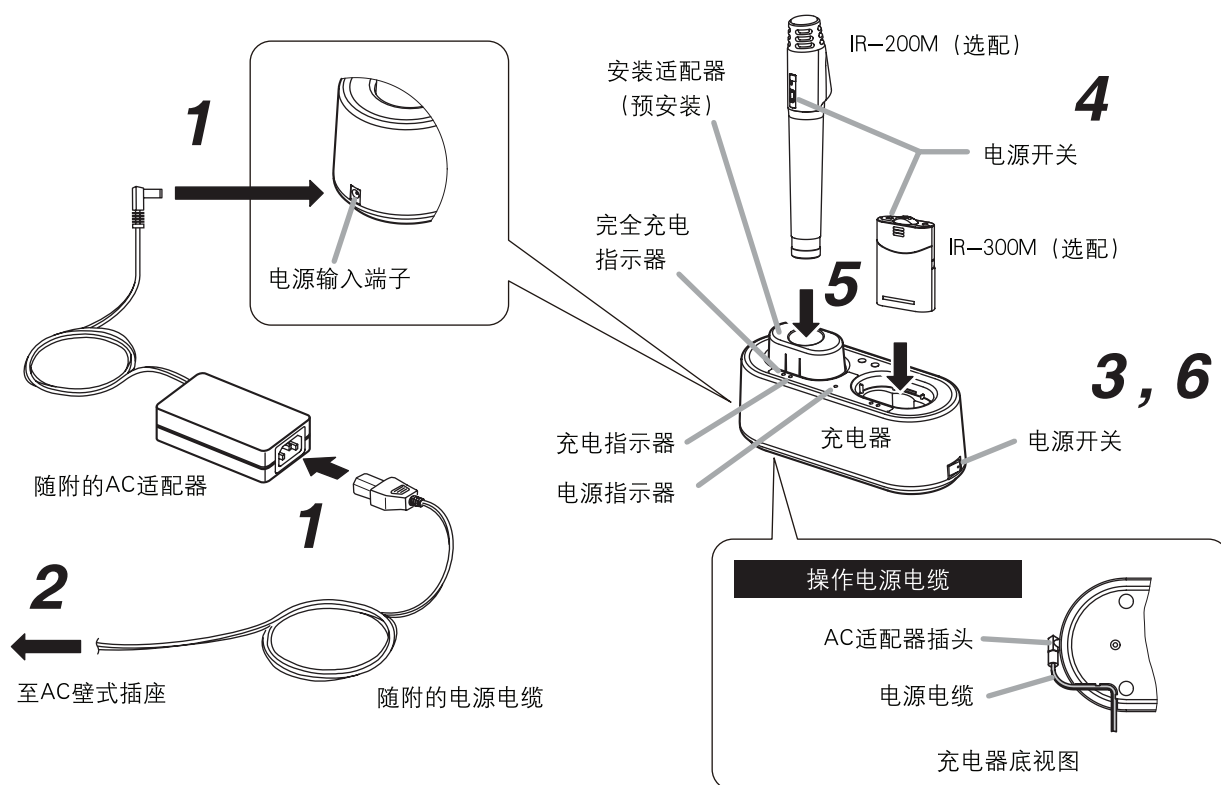
5. 充电

⚠ 注意

避免为安装有可充电电池，而非专用IR-200BT电池的话筒充电。
为非指定的电池充电会由于电池破裂而导致火灾或人身伤害。

注

- 请在温度为0 ~ +40°C的环境中使用充电器。
 - 在使用前为 IR-200BT 电池充电。
 - 如果安装IR-200BT电池的红外线话筒长时间存储，建议在使用之前为话筒充电。
 - 避免在受到强烈振动的位置使用充电器，否则可能会导致接触不良，影响正确充电。
 - 请勿在充电期间频繁地从充电器中插入和拔出话筒，否则会减少IR-200BT 有效充电和放电的次数。
 - 可充电电池是消耗品，不能永久使用。如果即使在充满电的情况下电池运行时间仍然极短，则电池已经达到其使用寿命，必须进行更换。确保更换话筒（IR-200BT）专用的电池。
- 提示：在正常使用状况下，电池可循环大约500个充电和放电周期，之后通常需要更换电池。



- 步骤1.** 将电源电缆连接至AC适配器，然后连接AC适配器至充电器。
连接之后，将电源电缆推入充电器底部的沟槽中，防止AC适配器插头意外错位。（请参见上图的“操作电源电缆”。）
- 步骤2.** 将AC电源插头插入AC壁式插座。
- 步骤3.** 将充电器的电源开关置于“开”位置。
确认电源指示器亮起。

步骤4. 关闭需要充电的红外线话筒的电源，然后插入2个IR-200BT可充电电池至话筒中。有关电池插入的信息，请参见红外线话筒随附的使用说明书。

注

如果红外线话筒的电源开关置于“开”位置，则充电无法正确执行。

步骤5. 将红外线话筒完全插入充电器的话筒插座中，并确认充电指示器（红色）亮起。

[对于IR-200M话筒]

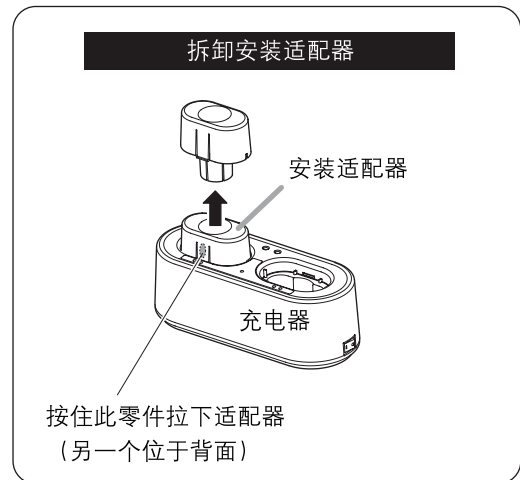
- 保留安装适配器。
- 将话筒插入要充电的适配器的孔中。

[对于IR-300M话筒]

拆卸要充电的安装适配器。

（请参见右图。）

充电持续大约3个小时，然后完全充电指示器亮起绿色。



步骤6. 充电完成后关闭充电器电源。

注

- 确保充电完成后关闭充电器电源以节省待机电源。
- 充电完成后红外线话筒会变热，但是这并不是故障。
- 当将红外线话筒从充电器上拆除时握住充电器。

6.故障排除

症状	可能原因	解决方法
即使电源开关打开，电源指示器仍不亮。	<ul style="list-style-type: none"> AC适配器未插入工作的AC插座中，或未正确插入。 AC适配器插头未连接至充电器。 	<ul style="list-style-type: none"> 确保AC适配器插入正确工作的AC壁式插座。 将插头连接至充电器的电源输入端子。
即使红外线话筒插入话筒插座，充电指示器(红色)仍不亮。	<ul style="list-style-type: none"> 话筒中使用的电池可能不是专用IR-200BT可充电电池。 红外线话筒可能未正确插入话筒插座中。 [对于IR-200M] 安装适配器可能未正确安装。 	<ul style="list-style-type: none"> 在话筒中安装适当的专用IR-200BT可充电电池。 确保话筒尽可能紧的完全插入到充电器中。 正确安装适配器。
将红外线话筒插入话筒插座中，引起充电指示器(红色)闪烁。	<ul style="list-style-type: none"> 工作温度可能超过允许的运行温度范围(0 - 40°C)，阻止充电完成。 	<ul style="list-style-type: none"> 在运行温度范围(0 - 40°C)内充电。
完全充电指示器(绿色)始终短暂亮。	<ul style="list-style-type: none"> 专用IR-200BT可充电电池可能达到其使用寿命(通常大约500次充电和放电之后)。 	<ul style="list-style-type: none"> 更换新的可充电电池。
即使充电开始3小时后完全充电指示器仍未亮起(最大充电时间: 3小时)	<ul style="list-style-type: none"> 红外线话筒的电源开关可能设置为“开”。 电池可能达到其使用寿命。 	<ul style="list-style-type: none"> 将红外线话筒的电源开关置于“关”位置。 更换新的可充电电池。
充电指示器(红色)和完全充电指示器(绿色)交替亮。	<ul style="list-style-type: none"> 话筒可能安装了非IR-200BT可充电电池。 话筒插座中可能存在异物(例如金属)。 电池可能达到其使用寿命。 红外线话筒的电源开关可能设置为“开”。 	<ul style="list-style-type: none"> 在红外线话筒中应用专用的IR-200BT可充电电池。 去除这些异物。 更换新的可充电电池。 从充电器中拆下红外线话筒，并将话筒电源开关置于“关”位置，然后重新将话筒插入充电器中。

7.规格

电源	AC 电源, 50/60 Hz (由随附的 AC 适配器供电)
电流消耗	最大2A
充电时间	最多3小时
无线话筒可同时充电的数量	2 个*1
运行温度	0 ~ 40 °C
运行湿度	30 ~ 85% RH
材料	机箱: ABS树脂, 金属灰色, 半光泽, 油漆 话筒插座部分: PPE树脂, 黑色
尺寸	238 (宽) x 83 (高*2) x 98 (深) mm
重量	635 g (充电器装有安装适配器)

注: 设计和规格若有变更, 恕不另行通知。

• 附件

电源电缆 (2 m)	1
AC 适配器 (DC 电源电缆长度: 1.8 m)	1
安装适配器 (预安装)	2

• 选购产品

可充电电池: IR-200BT-2 (包含2个)

*1 使用安装适配器允许IR-200M和IR-300M彼此同时充电。

*2 安装了安装适配器时的高度为109.5 mm。